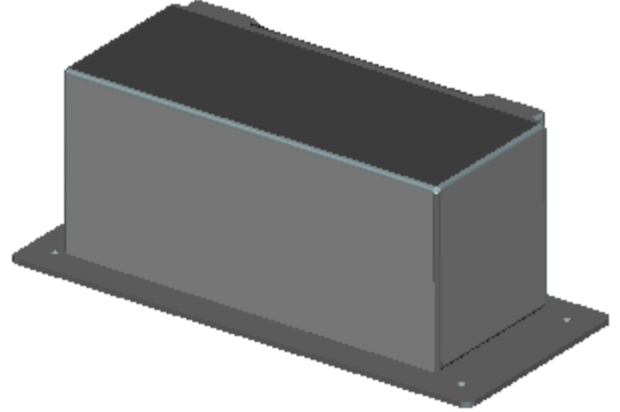


# DRIVER INSTRUMENT PANEL FOR 155MM SELF-PROPELLED HOWITZERS

AY-SGP-009



## Product Description

Driver Instrument Panel for 155mm Self-Propelled Howitzers which transfers all the information about the vehicle to the user, provides the controls about the vehicle and easy to integrate the driver instrument panel.

## Usage Area

Suitable for using as driver instrument panel for 155mm Self-Propelled howitzer.

## Product Specifications

- Multi-function control unit
- CAN-BUS communication infrastructure
- To be able to observe and control 50 different I/O signals
- Provides signals for the vehicle with I/O controls
- Low power consumption
- Ergonomic button design
- Multi-function lighting switch in according to NATO standards
- Environmental endurance (MIL-STD-810)
- Electromagnetic compatibility (MIL-STD-461)

## General Features

Operating Voltage : 12-36 VDC

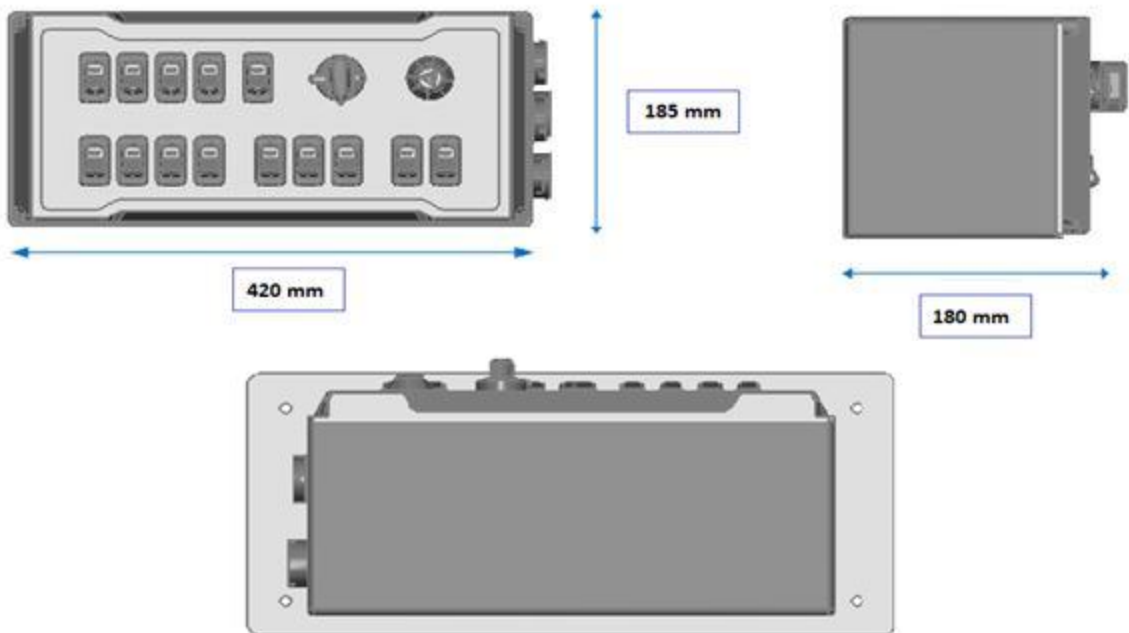
Interfaces : 2x CANBus

### Thermal Characteristics

Operating Temperature : -40°C / +85°C

Storage Temperature : -40°C / +85°C

## Dimensions



## Driver Information Panel

3.2 inch functional driver information panel is used in driver instrument panel.

